

# SAUNACORE "MERCURI" Control Operating Instructions

Display windows:

Left Window "Minutes" Time Display

Right Window "Degrees" Temperature Display

Signaling LED's:

C - Temperature is displayed in deg C

F - Temperature is displayed in deg F

Heat - Flashing means heater is on

Run - Sauna is during operation cycle

Aux - Auxiliary output is active

Pwr - Unit is connected to power source.

Arrows Up and Down below "Minutes" window change period of the sauna cycle. Time can be adjusted between 1 to 60 minutes. It is time during which temperature inside sauna room will be maintained within set temperature +/- 3 deg C. If sauna is not during operation time can be adjusted up and down. During operation time can be only be adjusted down. Meaning operation period will be decreased.

Arrows Up and Down below "Degrees" window change target temperature of the operation cycle. Target temperature can be can be adjusted between 1 to 90 deg C ( 32 to 190 deg F).

If sauna is not during operation temperature can be adjusted up and down. During operation temperature can be only be adjusted down. Meaning target temperature will be decreased.

During sauna operation Degrees windows will show target temperature for 1 second and current room temperature for 3 seconds.

Unit is capable of displaying temperature both on deg C and deg F. In order to switch between units both down arrows need to be held continuously depressed for 10 seconds, until LED beside "degrees" windows changes, lighting up unit required units window (F or C). As default deg C are selected.

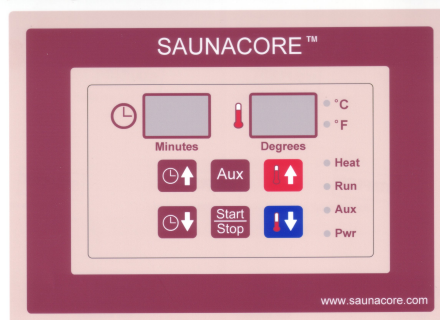
Initially for the first 5 seconds, when either Up or Down key is depressed and held, modified value (time or temperature) changes every second. If button is pressed continuously for longer then 5 seconds, changes are more rapid, every 0.5 second, and finally after 15 seconds every 0.25 second, allowing fast wide range changes.

Controller is capable of detecting faulty temperature sensor and overheating of the sauna room. Message 'ts' means temperature sensor problem, message 'too hot' means overheating of the room. In both conditions heater operation is disabled and sauna becomes not operational until first - fault condition is corrected and secondly unit is restarted by power cycling or error is cleared by continuously holding start button for 15 seconds.

Sauna operation is triggered by "Start" button. Unit will maintain set temperature for set period of time. Unit remembers last setting, so if no changes are made and start button is depressed and released, last used values are used.

After set time expires unit remains in stand-by mode for 10 minutes displaying last time used values of time and temperature. After that goes to sleep mode, where only PWR LED is on and display is blanked. Unit wakes-up if any of the buttons is touched.

Unit is equipped with Aux output 120VAC 10 A. This output is controlled by AUX button and is not associated with sauna cycle. Can be used i.e. for lights, radio, fan etc. Once turned on will remain on as long as is not turned off by user, regardless of the state of the sauna room.



# Mercuri Digital Control

CAUTION: THE MANUAL RESET LIMIT SHALL BE WIRED IN THE CIRCUIT

Figure 8

European Connection  
(L2 = N - "Neutral")

**For supply connections, use suitable AWG wires suitable for at least 90°C (190°F). (Use only copper wire). Ground wire must be insulated.**

Mercuri control must be installed outside of the sauna room, into a 3 gang masonry electrical box.

Box Size: 3.5" deep x 3.75" high x 5-19/32" wide  
Volume (63 Cu.in.)

When the magnetic contactor is used, it also must be installed into an appropriate metal electrical enclosure box outside the sauna.

Box Size: min 6" wide x 6" high x 3" deep  
Volume (108 Cu.in.)

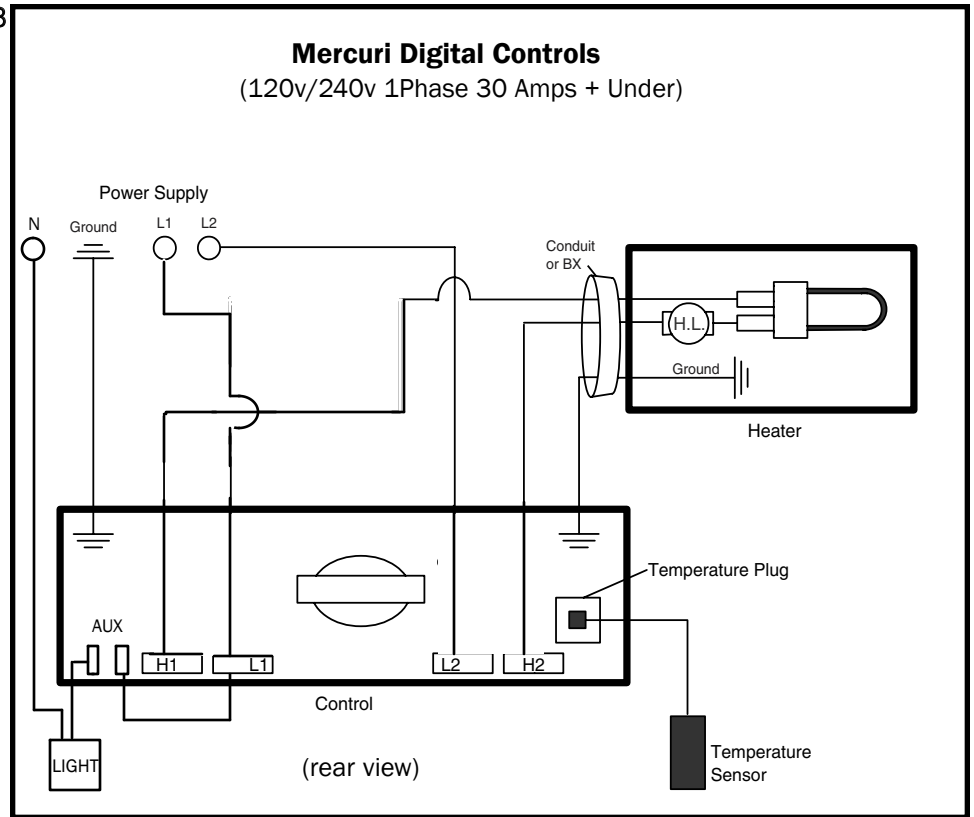


Figure 9

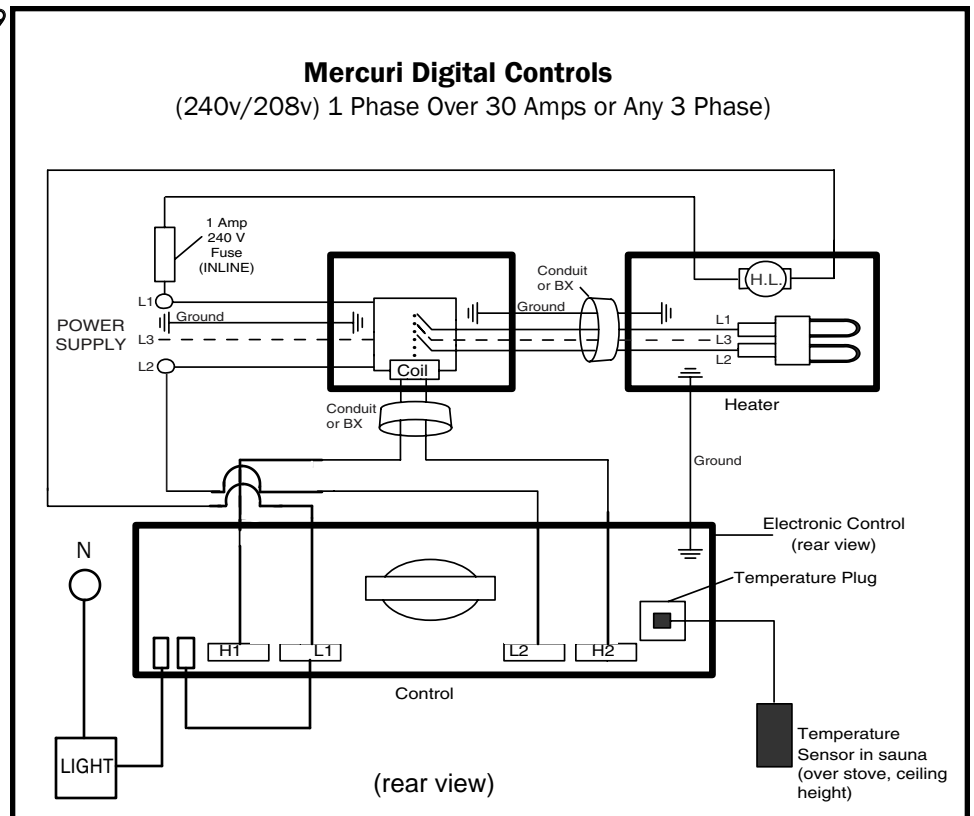
**Operation:**

**Set time and temperature. Temperature display window will alternate simultaneously from current room temperature and set temperature**

**Note:**

**All power supply wires from control box to stove must be protected by metal conduit.**

Loose connections or connectors may cause electrical shortage. Make sure all connections and connectors are firmly secure.

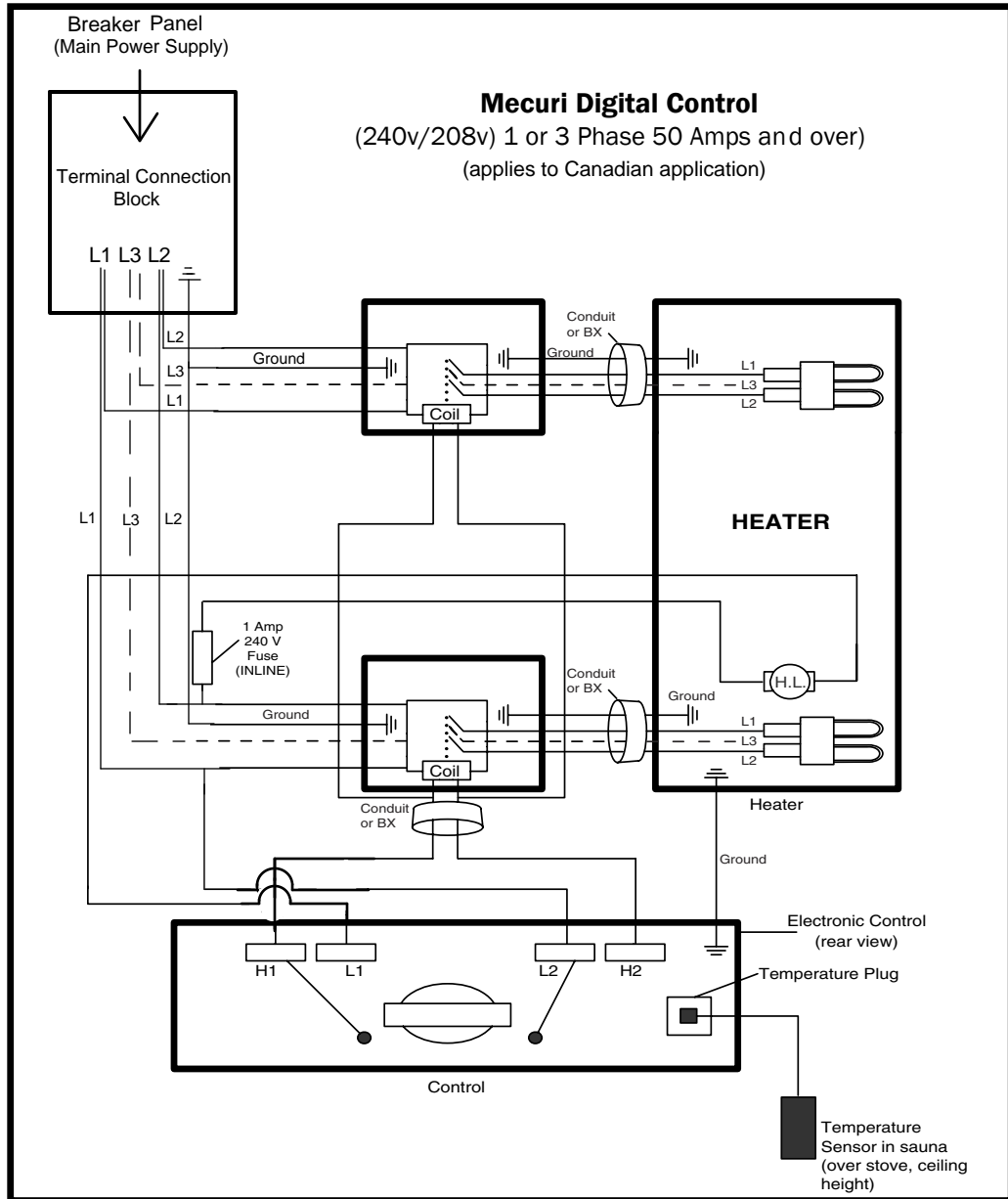


# Mercuri Digital Control

Mercuri control must be installed outside of the sauna room, into a 3 gang masonry electrical box. When a magnetic contactor is used, it also must be installed into an appropriate metal electrical enclosure box outside of the sauna.

For supply connections, use suitable AWG wires suitable for at least 90°C (190°F). (Use copper wire only). - Ground wire must be insulated.

Figure 10



CAUTION: THE MANUAL RESET LIMIT SHALL BE WIRED IN THE CIRCUIT.